

## Digital Video Recorder

### BP 4.0 FHD

2.0" Display | Dual Lens | Motion Detection



Subject to availability and technical modification.

#### Sales start

Spring 2021

#### Part number

2 005 021 000 000

#### EAN Code

4 260 499 852 764

#### Highlights

- Zinc alloy metal housing
- 2.0" IPS\*) screen
- Full HD 1080P recording (front camera)
- Detachable HD 720P in cabin lens with plug & play design
- Photo capture, Playback, Automatic Recording with injection turn on
- Supports G-sensor, motion detection, loop recording
- Car number display in the video
- Supports parking monitoring
- Supports night vision with 6pcs IR lights
- CE certified
- Scope of delivery: DVR, In-cabin lens, holder, charger connector cable, user manual

\*) The addition "IPS" stands for "in-plane switching" and identifies LCDs where the viewing angle stability is particularly good, colors, brightness and contrast do not change or hardly change even when viewed from an oblique angle.

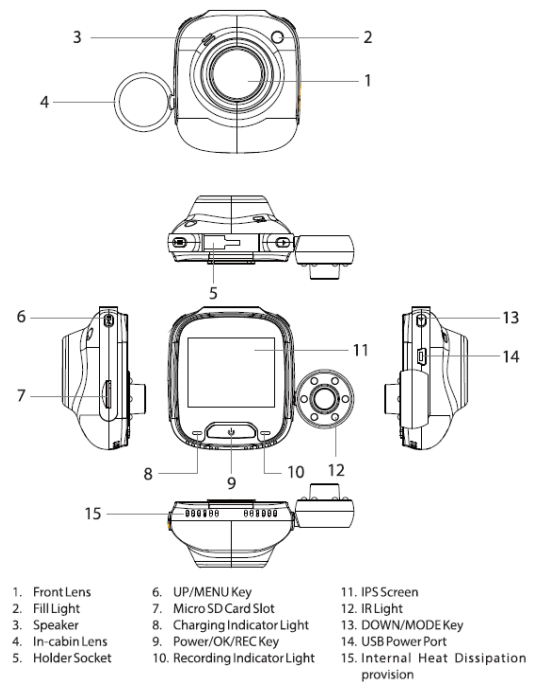
## Digital Video Recorder

### BP 4.0 FHD

2.0" Display | Dual Lens | Motion Detection

#### Product Specification

Sub-Category	Default
Screen Size	2.0" HD IPS screen
Viewing Angle	140° diagonal ultra wide viewing angle (front lens) 100° diagonal wide viewing angle(in-cabin lens)
Video Resolution	1296P 2304 X 1296 / 1080P 1920 X 1080 / 720P 1280 x 720P / VGA 640x480 (front lens) / 720P 1280 x 720 (in-cabin lens)
Image Resolution	12M/10M/8M/5M/3M/2M/1M/VGA
Video Format	MOV/H264
Image Format	JPG
Memory Card	Max. 32GB mSD Card (Class 10 and above)
Frequency	50HZ/60HZ
Power Port	USB 5V/1.5A
Battery Capacity	300mAH
Microphone/Speaker	Built-in
Loop Recording	Off/1min/3mins/5mins
LCD Off / Audio Record / Date Stamp / G-Sensor / Motion Detection / Parking Monitoring / Car Number Display	Support
Language	English
DVR N.W	92g
DVR Size	58(W)X65(H)X33(D)mm



Subject to availability and technical modification.

